

Data Inquiry Form for Rexnord PSI Aerospace Bearings

Please make copies and fax to: 805-583-2396
or email to: PSIrex2000@rexnord.com

Customer Information:

Engineer: _____ Buyer: _____
 Company: _____
 Address: _____
 Telephone: _____ Zip Code: _____
 Email Address: _____
 Inquiry Date: _____
 Product Application: _____
 Aircraft/Engine: _____

Programs:

Design Stage:
 Preliminary Development Production

Application Conditions:

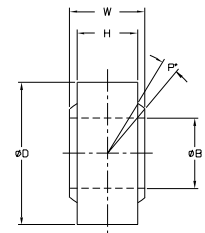
Static Load: _____	Dynamic Load: _____
Temperature Range: _____	°F min. °F max.
Motion: °	Misalignment: °
Exp. Prod. Life (Cycles): _____	Speed: _____
Lubrication: <input type="checkbox"/> Grease <input type="checkbox"/> TFE <input type="checkbox"/> None	
Grease Type: _____	Fluid Compatibility: _____
Environmental Exposure: _____	
Estimated Annual Product Usage: _____	
Quantities to quote: 50 100 (Other)	
Desired Delivery: weeks	

Other Comments: _____

Product Configuration: Bearing envelope

Annular:
 Roller Bearing
 Spherical Bearing

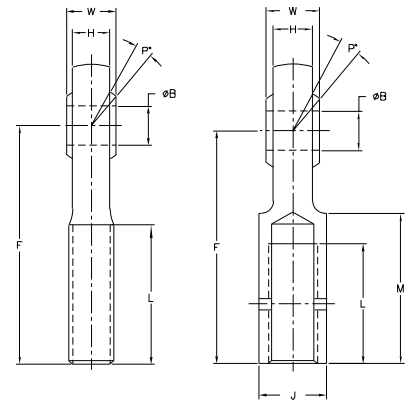
Inner Race Material: _____
 Ball/Roller Material: _____
 Outer Race Material: _____



Rod End:

Ball Bearing
 Roller Bearing
 Spherical Bearing

Inner Race Material: _____
 Ball/Roller Material: _____
 Outer Race Material: _____



Special Configuration — Please attach sketch or drawing with dimensions.

Single Row Double Row

Special Considerations: _____

NOTE: Please include a layout or sketch of the housing or pin. Describe any special conditions or requirements regarding installation or maintenance. Always remember to specify pin and housing materials to aid annular fit and function.