

REXNORD® AEROSPACE AIRCRAFT STRUCTURAL COMPONENTS

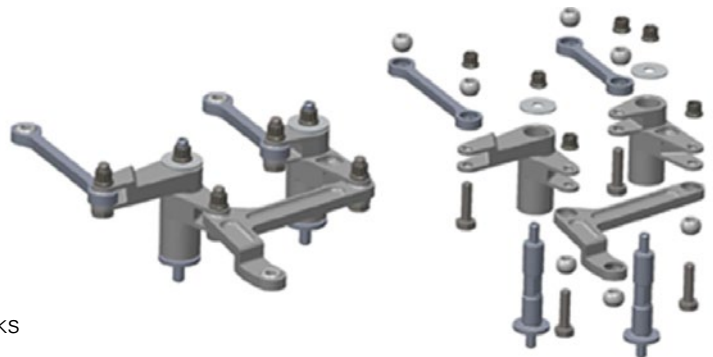
We are designers of highly engineered propulsion components and specialty structures with advanced technology and manufacturing capabilities for the aerospace and defense industry. Our specialty structural aerospace components can be found in commercial and military fixed wing and rotary wing applications.

For more than 60 years, Rexnord has provided quality bearings, seals, electrical components, and gear services for use in the aerospace industry all over the world to original equipment manufacturers (OEMs). As the premier leader in the supply of highly engineered specialty bearings and mechanical seals, Rexnord products can be found in every aspect of the aerospace industry, from engine systems and flight controls to landing gear and aircraft structures. Whether it is the rudder of a plane or the landing gear, Rexnord Aerospace products help provide a smooth operation. With dedicated production facilities, Rexnord provides global availability of products and services to meet your schedule. Our sales professionals provide support when you need it and offer solutions tailored to your specifications. Altogether, the Rexnord team enhances your ease of doing business with us by delivering on our promise to provide expert solutions while maintaining the lowest total cost of ownership.



REXNORD AEROSPACE OFFERS WIDE RANGE OF STRUCTURAL COMPONENTS:

- Control Rods
- Flight Control Links
- Rotor Pitch Links
- Turnbuckles
- Tie-Rods
- Engine / Gearbox / Oil Tank Mounts
- Connecting Links
- Duct Support
- Nozzle / Exhaust Links
- Special Design
- Landing Gear Supports
- EBU – Engine Build Up
- CGV – Control Guide Vane Links



REXNORD® AEROSPACE AIRCRAFT STRUCTURAL COMPONENTS

Links and assemblies are available in corrosion resistant material with a variety of special wear resistant coatings. We also offer assemblies that operate at high temperatures. Attachment features are typically rod end ball, roller, or spherical plain bearings. Rexnord Aerospace structural components have been in service for decades and are qualified by major OEMs.

APPLICATION EXAMPLES:



Motion Control Solutions
Regal Rexnord

Contact us: [rexnord.com/contact](https://www.rexnord.com/contact)

[regalrexnord.com](https://www.regalrexnord.com)

The proper selection and application of products and components, including assuring that the product is safe for its intended use, are the responsibility of the customer. To view our Application Considerations, please visit <https://www.regalrexnord.com/Application-Considerations>. To view our Standard Terms and Conditions of Sale, please visit <https://www.regalrexnord.com/Terms-and-Conditions-of-Sale> (which may redirect to other website locations based on product family).

"Regal Rexnord" is not indicative of legal entity.

Regal Rexnord and Rexnord Aerospace are trademarks of Regal Rexnord Corporation or one of its affiliated companies.

© 2022 Regal Rexnord Corporation, All Rights Reserved. MCSSP22051E • Form# 10495E

